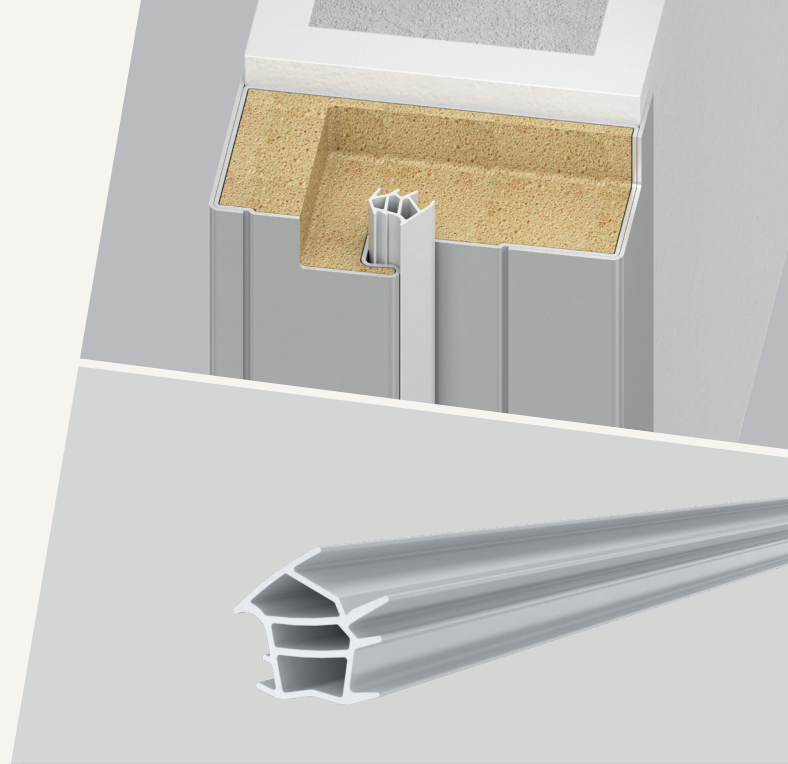




PS 1817 S

- / stop-rebated compression seal
- / suitable for sound insulation
- / suitable for smoke sealing

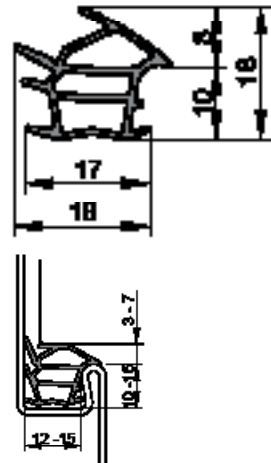


TECHNICAL DATA

| | |
|---------------------------|------------------------------|
| Application | metal frame rebates |
| Gasket material | silicone, self-extinguishing |
| Working temperature range | -40°C to +200°C |

DIMENSIONS

| | |
|-------------------------|------------|
| Width x height | 18 x 18 mm |
| Fitting tolerance range | 3 - 7 mm |
| Standard lengths | 25m coil |



FIXING

| | |
|--------|--------------------------------|
| Fixing | into a groove in the door stop |
|--------|--------------------------------|

PERFORMANCE & CERTIFICATES

| | |
|----|-----------------|
| UL | UL 10C (R38166) |
|----|-----------------|

COLORS

ART.NO.

| | |
|-------|---------|
| Black | P160187 |
| Grey | P160145 |
| White | P160188 |